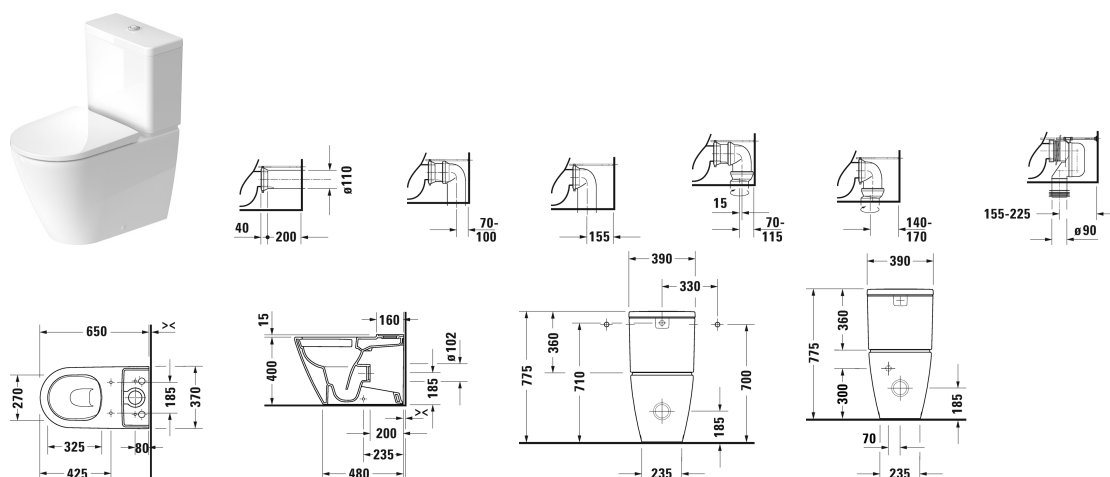


D-Neo Toilet close-coupled Duravit Rimless® # 200209..00 / 200209..00

| < 370 mm > |



Toilet close-coupled Duravit Rimless®	Dimension	Weight	Order number
rimless, (without cistern), washdown model, fixings included, UWL class 1, 4/2L			
Colors			
00 White Alpin 20 HygieneGlaze (an antibacterial ceramic glaze that provides almost indefinite effectiveness)			
Variant			
♦ Outlet for Vario connector set, for horizontal and vertical outlet, length adjustable from 70 - 170 mm, and vario connecting bend, vertical outlet from 155 - 225 mm	370 x 650 mm	36.900 kilogram	200209..00
♦ Outlet for Vario connector set, for horizontal and vertical outlet, length adjustable from 70 - 170 mm, and vario connecting bend, vertical outlet from 155 - 225 mm	370 x 650 mm	36.900 kilogram	200209..00
Sanitary ceramics with the special WonderGliss surface finish will remain clean and attractive-looking for a long time to come. When ordering WonderGliss please add a "1" as eleventh digit to the model number.			
Accessory			
Conversion set		0.200 kilogram	007508
Vario connecting bend for vertical outlet	Ø 100 mm	0.700 kilogram	899025
Vario connector set incl. excenter	Ø 110 mm	1.500 kilogram	001422
Suitable products			
Cistern with Dual Flush mechanism, chrome, for side supply, 395 x 180 mm	395 x 180 mm		094400

D-Neo Toilet close-coupled Duravit Rimless® # 200209..00 / 200209..00

|< 370 mm >|

Cistern with Dual Flush mechanism, chrome, for bottom left supply, 395 x 180 mm	395 x 180 mm	094410
Toilet seat and cover hinges stainless steel, without soft closure,		002161
Toilet seat and cover removable, hinges stainless steel, with soft closure,		002169
Cistern Hong Kong - version, without mechanism, for bottom left or bottom right supply, 395 x 180 mm	395 x 180 mm	094430

All drawings contain the necessary measurements which are subject to standard tolerances. They are stated in mm and are non-binding. Exact measurements, in particular for customised installation scenarios, can only be taken from the finished piece.